



SWG12400(12V40AH)



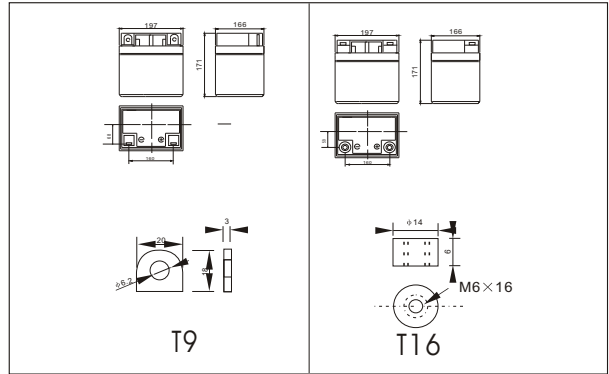
Specifications

Nominal Voltage	12V	
Rated capacity (20 hour rate)	40 Ah	
Dimensions	Total Height	171 mm (6.73 inches)
	Height	171 mm (6.73 inches)
	Length	197 mm (7.73 inches)
	Width	166mm (6.54 inches)
Weight Approx	14 Kg (30.94 lbs)	

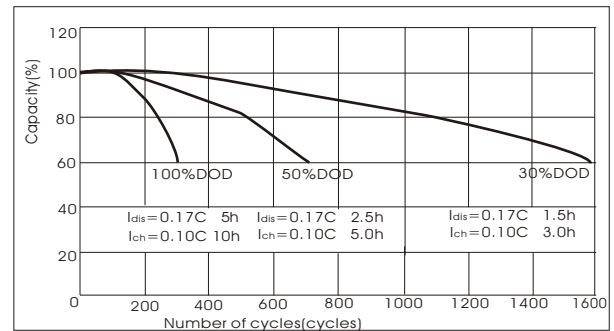
Characteristics

Capacity 25°C(77°F)	20 hour rate(2.0A)	40.0 AH
	10 hour rate(3.68 A)	36.8 AH
	5 hour rate(5.88A)	29.4 AH
	1 hour rate(2.20A)	22.0 AH
Internal Resistance	Full charged Battery at 25°C(77°F)	Approx 13.0 mΩ
Capacity affected by Temperature (10hour rate)	40°C(104°F)	102%
	25°C(77°F)	100%
	0°C(32°F)	85%
	-15°C(5°F)	65%
Self-Discharge at 25°C(77°F)	Capacity after 3 month storage	91%
	Capacity after 6 month storage	82%
	Capacity after 12 month storage	64%
Terminal	T16 T9	
Charge (constant Voltage)	Cycle	Initial Charging Current less than 14.72 A Voltage 14.10-14.40V
	Float	Voltage 13.50-13.80V

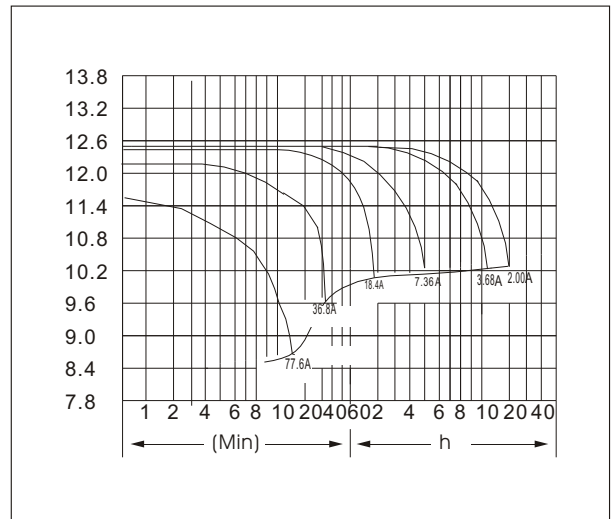
Outer dimensions (mm)



Curves of cycle life(25°C)



Discharge Curves 25°C(77°F)



Constant Current(Amp) and Constant Power(Watt) Discharge Table at 25°C(77°F)

Time		5min	10min	15min	30min	1h	2h	3h	4h	5h	8h	10h	20h
960V	A	117.9	77.6	62.6	42.0	22.1	12.9	9.5	7.4	6.07	4.31	3.86	2.09
	W	1216.4	829.3	671.2	451.1	238.5	141.4	105.8	82.8	69.04	49.34	44.63	24.26
1020V	A	114.2	70.1	59.0	40.1	20.8	12.3	9.2	7.2	5.96	4.20	3.79	2.02
	W	1219.2	782.4	659.7	450.3	234.7	140.8	105.4	82.6	68.78	49.08	44.53	23.78
1050V	A	110.4	62.7	51.6	37.5	20.1	12.0	9.0	7.1	5.89	4.16	3.72	2.01
	W	1206.0	712.9	588.4	432.0	232.7	139.1	103.5	82.3	68.68	48.90	43.98	23.71
1080V	A	106.4	59.1	47.9	34.6	19.4	11.7	8.8	7.0	5.74	4.05	3.68	1.99
	W	1194.1	681.1	552.0	400.8	226.2	137.1	103.3	82.1	67.86	47.97	43.74	23.67
11.10V	A	102.9	55.3	44.2	30.9	18.8	11.4	8.5	6.8	5.59	3.94	3.50	1.88
	W	1166.4	640.9	514.9	361.7	220.7	134.8	100.6	80.6	66.75	47.16	42.20	22.75